



**HELIOS** RENEWABLE  
ENERGY  
PROJECT

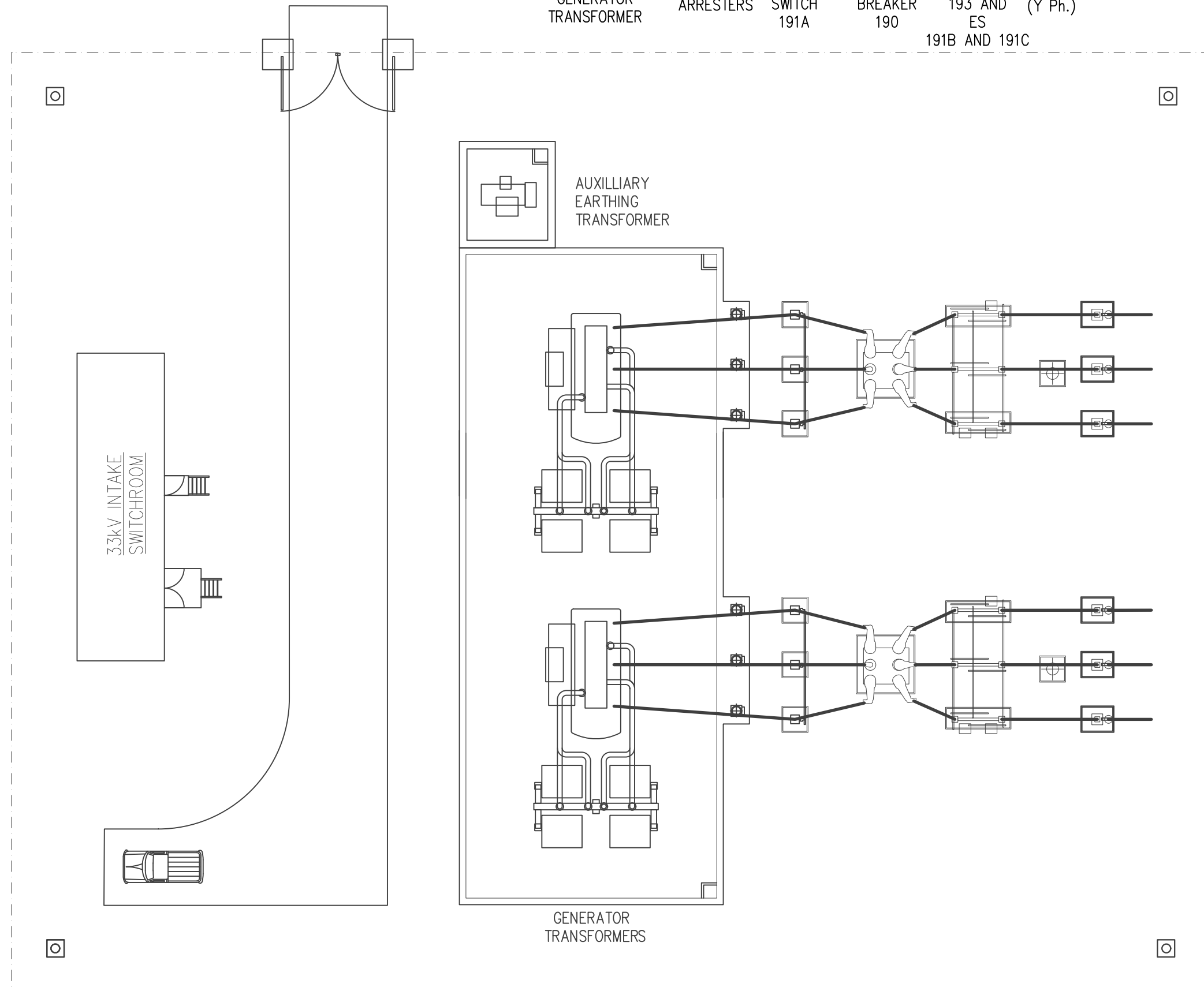
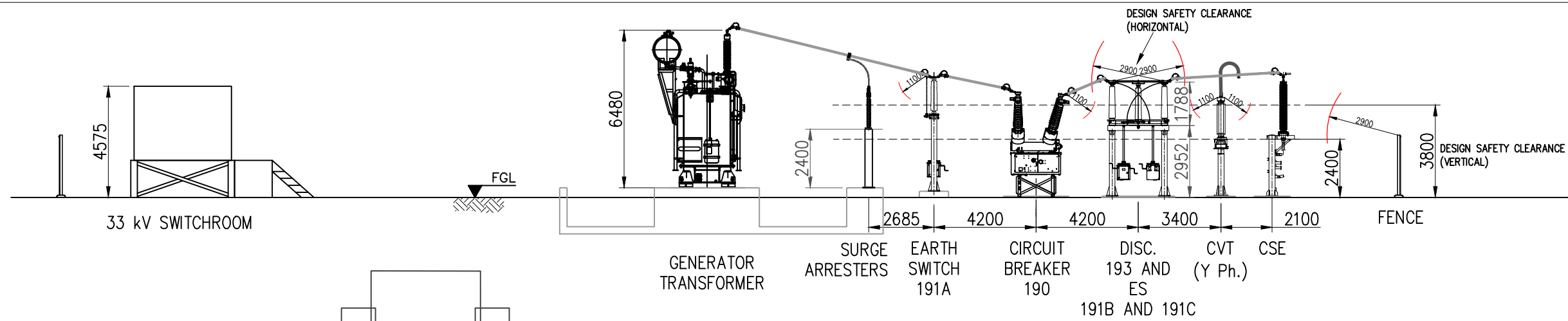
**PINS Document Number:**  
EN010140/APP/6.2.3.6

**Pursuant to:**  
APFP Regulation 5(2)(a)

## **Environmental Statement Figure 3.6: 132 kV Substation**

June 2024

GENERAL NOTES:  
 1) ALL DIMENSIONS ARE IN MILLIMETERS UNLESS SPECIFIED.



Revisions:  
 First Issue- 17/04/2023 JS



Enso Energy Limited, Unit 1 & 2 Cirencester Office Park,  
 Tetbury Road, Cirencester, GL7 6JJ  
 Tel: 01452 764685 Email: enquiries@ensoenergy.co.uk

Project Title:  
**Helios Renewable Energy Project**

Drawing Title:  
**Figure 3.6  
 132kV Substation**

DRWG No: DX-01-P08	Rev: -	Sht no: -
Drawn by : JS	Checked by: KL	
Scale: 1:200 @ A3	Date: 17/04/2023	